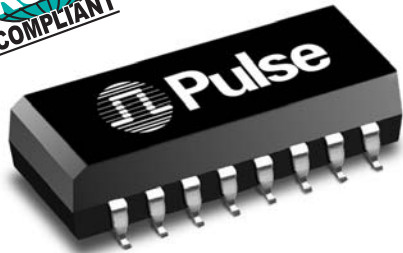


# EXTENDED TEMPERATURE SURFACE MOUNT 10BASE-T INTERFACE MODULES



## Fully Integrated for Adapter, Hub and Motherboard Applications



- For RoHS part add suffix **NL<sup>3</sup>**
- Peak solder temperature rating per Table 5-2 in IPC/JEDEC J-STD-020C
- Extended temperature operates from -40°C to +85°C
- Meets IEEE 802.3 specification
- EX2001 part is designed for AMD extended temperature transceiver

### Electrical Specifications @ 25°C — Operating Temperature -40°C to +85°C

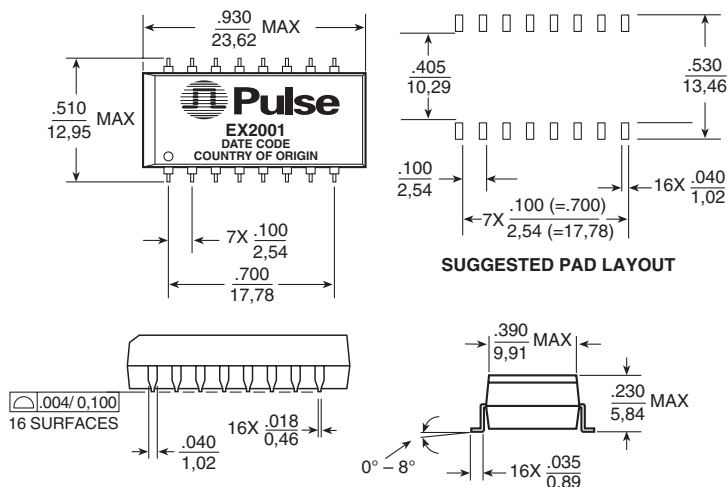
Part Number	RoHS	Insertion Loss	Attenuation (Transmit-dB MIN)				Return Loss 5-10MHz (dBMIN)		Crosstalk (dBMIN) 5-10 MHz	Common Mode Rejection (Transmit-dB MIN)					Hipot (Vrms MIN)
			1-10MHz	30MHz	50MHz	100MHz	100Ω	98Ω ±13		5MHz	10MHz	50MHz	100MHz	200MHz	
EX2001	NL2C	-1.0	-30	-35	-35	-18	-15	-35	-60	-60	-55	-50	-45	1800	

- For Tape & Reel packaging, add suffix "T" to the end of the part number e. g. EX2001T
- MSL=Moisture Sensitivity Level a=1 b=2 c=3 d=4
- Add suffix **NL** for RoHS compliant parts, e.g. EX2001 changes to EX2001NL or EX2001NLT (for Tape & Reel)

**NOTE:** Turns ratios are 1:1 for the EX2001. The receive and transmit sides meet IEEE 802.3i specifications. Specifications reflect filter sections.

## Mechanical

### EX2001



Weight ..... 2.5 grams  
 Tape & Reel ..... .250/reel  
 Tube ..... .20/tube

Dimensions:  $\frac{\text{Inches}}{\text{mm}}$

Unless otherwise specified, all tolerances are  $\pm \frac{.010}{0.25}$

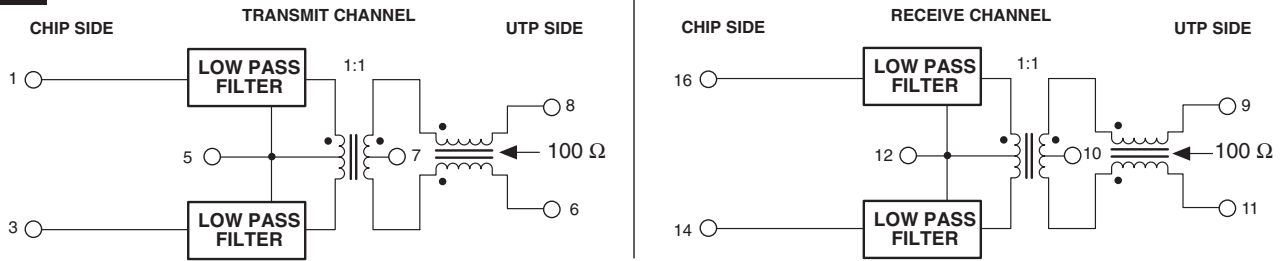
# EXTENDED TEMPERATURE SURFACE MOUNT 10BASE-T INTERFACE MODULES



Fully Integrated for Adapter, Hub and  
Motherboard Applications

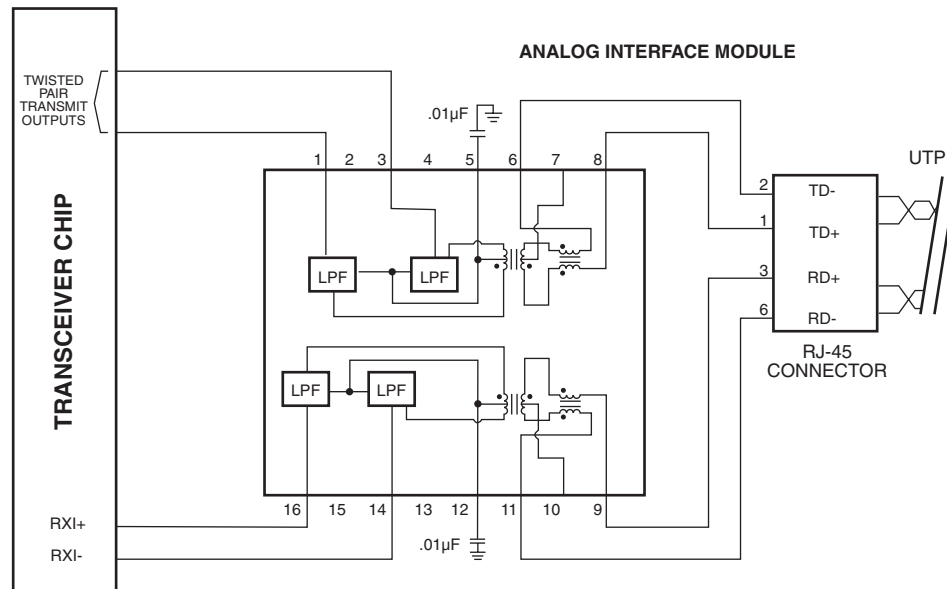
## Schematics

EX2001



## Typical Application Circuit

EX2001



## For More Information:

### Pulse Worldwide Headquarters

12220 World Trade Drive  
San Diego, CA 92128  
U.S.A.  
[www.pulseeng.com](http://www.pulseeng.com)  
TEL: 858 674 8100  
FAX: 858 674 8262

### Pulse Northern Europe

3 Huxley Road  
Surrey Research Park  
Guildford, Surrey GU2 5RE  
United Kingdom  
TEL: 44 1483 401700  
FAX: 44 1483 401701

### Pulse Southern Europe

Zone Industrielle  
F-39270  
Orgelet  
France  
TEL: 33 3 84 35 04 04  
FAX: 33 3 84 25 46 41

### Pulse China Headquarters

No. 1  
Industrial District  
Changan, Dongguan  
China  
TEL: 86 769 5538070  
FAX: 86 769 5538870

### Pulse North China

Room 1002  
No. 819  
Nanjing West Rd  
Shanghai  
China  
TEL: 86 21 32181071  
FAX: 86 21 32181396

### Pulse South Asia

150 Kampong Ampat  
#07-01/02  
KA Centre  
Singapore 368324  
TEL: 65 6287 8998  
FAX: 65 6280 0080

### Pulse North Asia

3F-4, No. 81, Sec. 1  
Hsin Tai Wu Road  
Hsi-Chih  
Taipei Hsien  
Taiwan  
TEL: 886 2 26980228  
FAX: 886 2 26980948

Performance warranty of products offered on this data sheet is limited to the parameters specified. Data is subject to change without notice. Other brand and product names mentioned herein may be trademarks or registered trademarks of their respective owners.

© Copyright, 2005. Pulse Engineering, Inc. All right reserved.

[www.pulseeng.com](http://www.pulseeng.com)